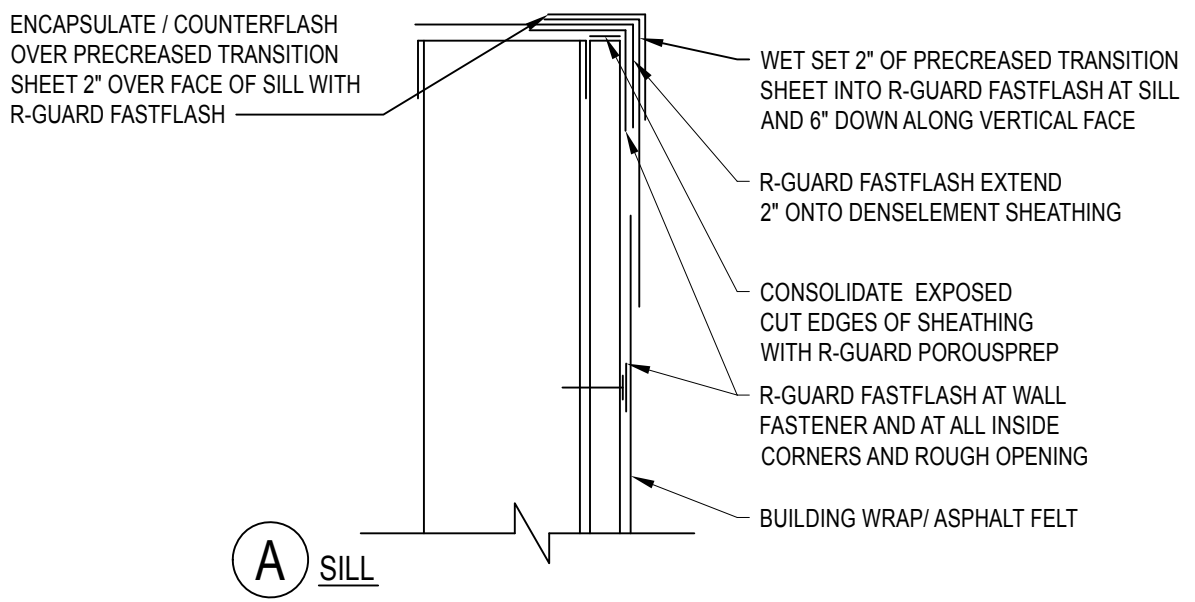
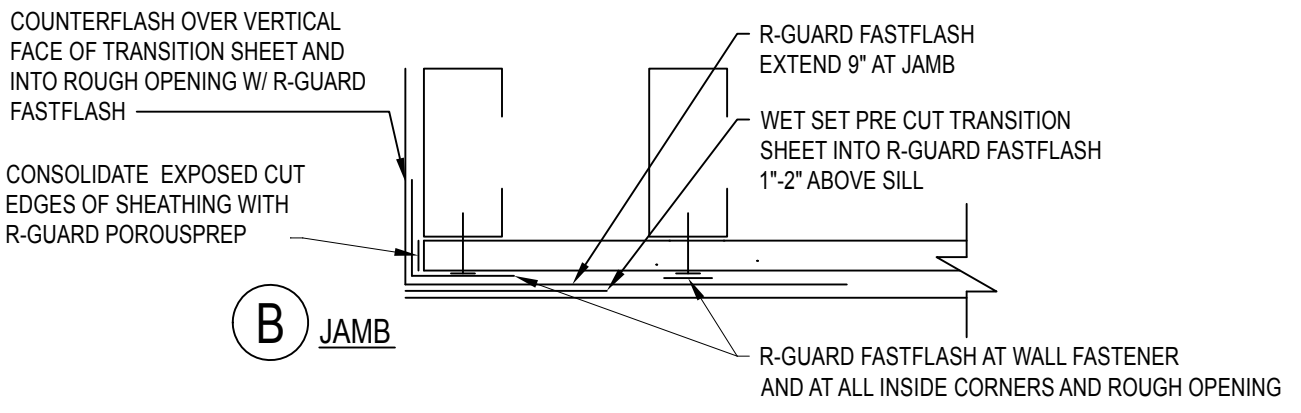
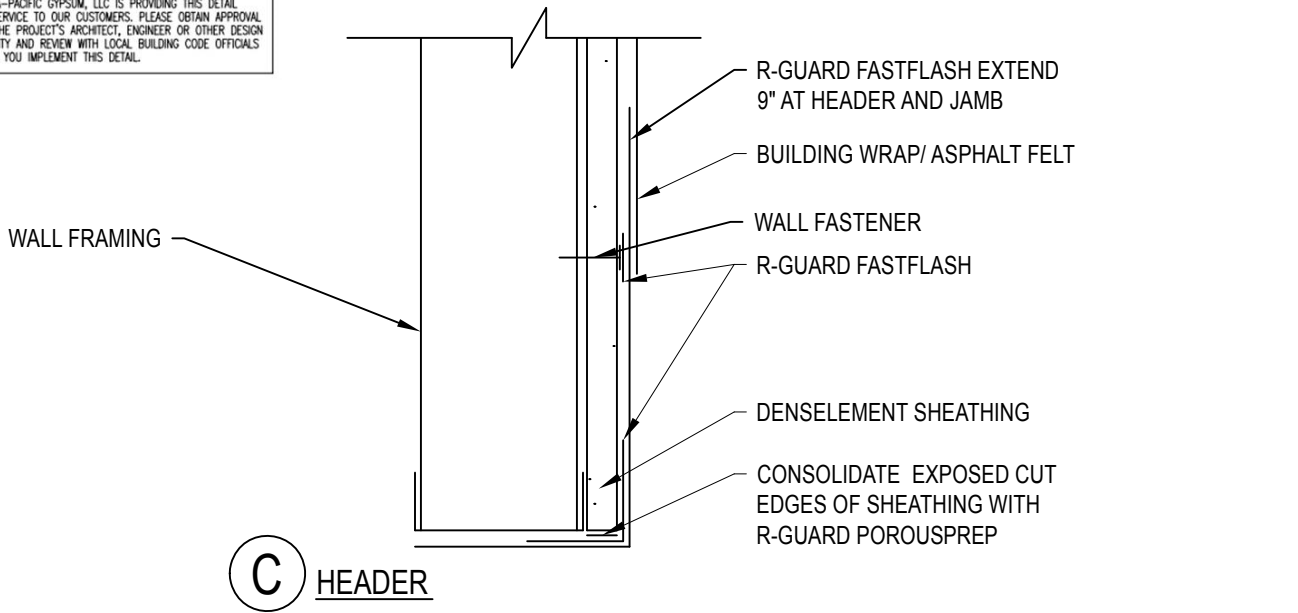


GEORGIA-PACIFIC GYPSUM, LLC IS PROVIDING THIS DETAIL AS A SERVICE TO OUR CUSTOMERS. PLEASE OBTAIN APPROVAL FROM THE PROJECT'S ARCHITECT, ENGINEER OR OTHER DESIGN AUTHORITY AND REVIEW WITH LOCAL BUILDING CODE OFFICIALS BEFORE YOU IMPLEMENT THIS DETAIL.



X25.1 ROUGH OPENING INTEGRATION W/ BUILDING WRAP/ ASPHALT FELT

SCALE: 3" = 1'-0"



DensElement Barrier System Details