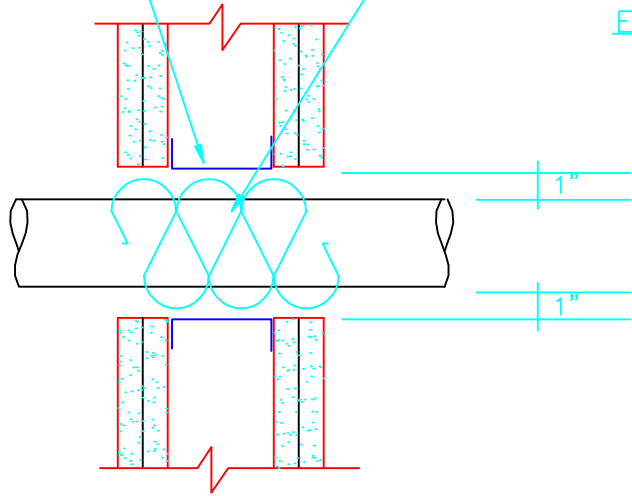


ELEVATION



NOTE: OVER 1" GAP REQUIRES A GYPSUM BOARD PATCH.

MULTIPLE CONDUIT/PIPE PENETRATIONS

GEORGIA-PACIFIC GYPSUM, LLC IS PROVIDING THIS DETAIL AS A SERVICE TO OUR CUSTOMERS. PLEASE OBTAIN APPROVAL FROM THE PROJECT'S ARCHITECT, ENGINEER OR OTHER DESIGN AUTHORITY AND REVIEW WITH LOCAL BUILDING CODE OFFICIALS BEFORE YOU IMPLEMENT THIS DETAIL.

TECHNICAL SERVICES:  
800-225-6119  
WEBSITE:  
[www.gp.com/gypsum](http://www.gp.com/gypsum)

**Georgia-Pacific Gypsum**  
**SKETCH NO. 20**